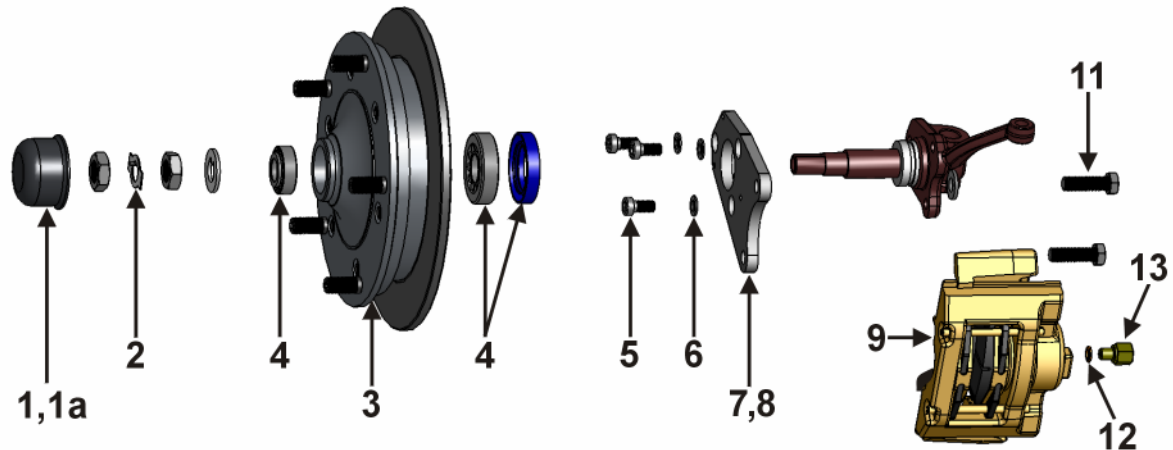


Stückliste /Parts List **499 165 5130CB**



| Verpack.art Location | Position Number | Bestell-Nr. Part-# | Bezeichnung Description | Anzahl Quantity | |
|-------------------------------|--------------------|-----------------------|-------------------------------------------------------------------------------------|--------------------|--|
| <i>Blister skinpacked</i> | 1 | 405 691 000 | Nabendeckel links Grease Cap left | 1 | |
| <i>Blister skinpacked</i> | 1a | 405 692 000 | Nabendeckel rechts Grease Cap right | 1 | |
| <i>Blister skinpacked</i> | 2 | 405 681 111 | Sicherungsblech Typ-1 -65 Lock Washer | 2 | |
| <i>Karton Box</i> | 3 | X405 581 165 | Radnabe kompl. Typ-1 -65 Aluminium Hub Assembly Type-1 -65 | 2 | |
| <i>Karton Box</i> | 4 | 498 201 111CSP | Radlagersatz mit Simmerring Wheel Bearings with Seal | 2 | |
| <i>Blister skinpacked</i> | 5 | 009 6912 1020 | Schraube DIN 6912, M10x20, 10.9 Bolt for Caliper Bracket, DIN 6912, M10x20, 10.9 | 6 | |
| <i>Blister skinpacked</i> | 6 | 009 0127 10 | Federring DIN 127, M10 Safety washer M10 | 6 | |
| <i>Blister skinpacked</i> | 7 | 615 201 111CB | Bremssattelhalteplatte links Caliper Bracket Left | 1 | |
| <i>Blister skinpacked</i> | 8 | 615 202 111CB | Bremssattelhalteplatte rechts Caliper Bracket Right | 1 | |
| <i>Karton Box</i> | 9 | 698 461 000 | Bremssättel mit Belägen Calipers with pads | 1 | |
| <i>Blister skinpacked</i> | 11 | 009 0912 121540 | Schraube DIN 912, M12x1,5x40 Caliper Bolt, DIN 912, M12x1.5x40 | 4 | |
| <i>Blister skinpacked</i> | 12 | 009 7603 1014 | Kupferring DIN 7603, 10x14x1 Copper Seal, DIN 7603, 10x14x1 | 2 | |
| <i>Blister skinpacked</i> | 13 | 611 701 000 | Adapter Bremsschlauch Adapter for Brake Hose | 2 | |
| <i>Beipack loose part</i> | ohne Abb. | 611 701 211 | Bremsschlauch Brake Hose | 2 | |
| <i>Blister skinpacked</i> | ohne Abb. | 000 604 SS | Schraubensicherungsmittel Loctite | 1 | |
| <i>Blister skinpacked</i> | ohne Abb. | 012 120 615 | Kunststoff-Dorn Plastic drive | 1 | |

Stand: Nov-13

Datum / Date: _____

zusammengestellt von / pulled by : _____