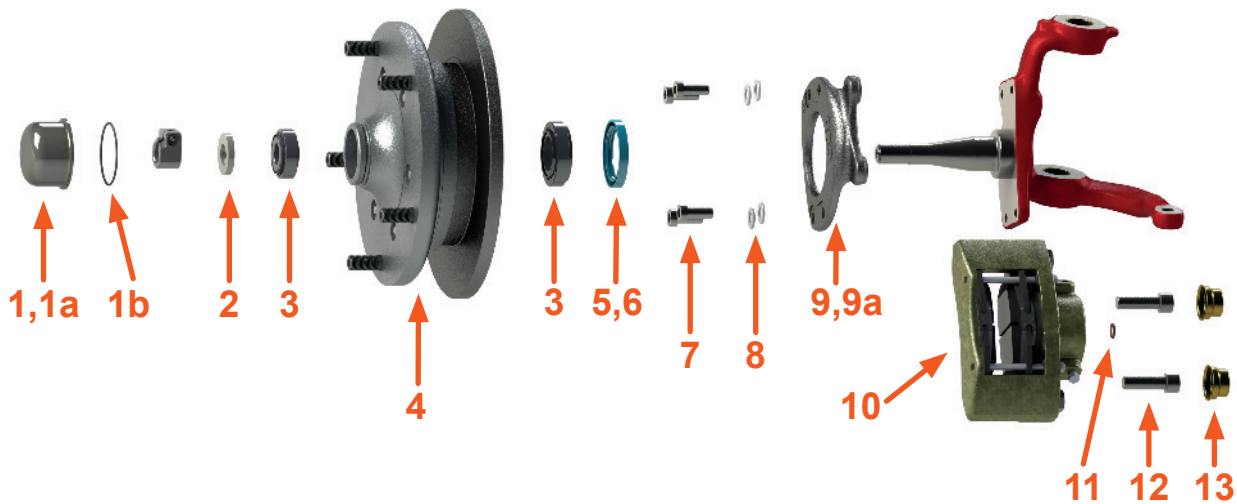


Stückliste / Parts List 499 264 5205-14

Artikel ohne Nummer sind nicht im Lieferumfang enthalten
Items without reference are not part of the kit



| Verpack.art Location | Position Number | Bestell-Nr. Part-No. | Bezeichnung Description | Anzahl Quantity |
|-------------------------|-----------------------|-------------------------|---|--------------------|
| Blister skinpacked | 1 | 405 691 000 | Nabendeckel links Grease Cap left | 1 |
| Blister skinpacked | 1a | 405 692 000 | Nabendeckel rechts Grease Cap right | 1 |
| Karton Box | 1b | 009 9000 5420 | O-Ring, 54x2 O-ring, 54x2 | 2 |
| Blister skinpacked | 2 | 405 661 264 | Druckscheibe Radlager Bearing Washer | 2 |
| Karton Box | 3 | 498 201 211 | Radlagersatz Wheel Bearings | 2 |
| Karton Box | 4 | X405 579 264-14 | Radnabe kompl. Typ-2 64-70, 14" Aluminium Hub Assembly Type-2 64-70, 14" | 2 |
| Blister skinpacked | 5 | 405 641 211CSP | Simmerring 62x45x8, Typ-2 64-67 Seal 62x45x8, Type-2 64-67 | 2 |
| Blister skinpacked | 6 | 405 641 211CSP2 | Simmerring 62x50x7, Typ-2 68-70 Seal 62x50x7, Type-2 68-70 | 2 |
| Blister skinpacked | 7 | 009 6912 1025 | Schraube DIN 6912, M10x25, 10.9 Bolt for Caliper Bracket, DIN 6912, M10x25, 10.9 | 8 |
| Blister skinpacked | 8 | 009 0125 10 | Scheibe DIN 125, M10 Washer M10 | 8 |
| Blister skinpacked | 9 | 615 201 211-14 | Bremssattelhalteplatte links Caliper Bracket left | 1 |
| Blister skinpacked | 9a | 615 202 211-14 | Bremssattelhalteplatte rechts Caliper Bracket right | 1 |
| Karton Box | 10 | 698 461 000-14 | Bremssättel mit Belägen und Kappen Calipers with Pads and Covers | 1 |
| Blister skinpacked | 11 | 009 7603 1018 | Kupferring DIN 7603, 10x18x1 Copper Seal, DIN 7603, 10x18x1 | 2 |
| Blister skinpacked | 12 | 009 0912 121540 | Schraube DIN 912, M12x1,5x40 Caliper Bolt, DIN 912, M12x1.5x40 | 4 |
| Karton Box | 13 | 611 485 000 | Abdeckkappe Dust Cover | 4 |
| Blister skinpacked | ohne Abb. w/o Ref. | 405 681 111 | Sicherungsblech Radlager Lock Washer | 2 |
| Beipack loose part | ohne Abb. w/o Ref. | 611 701 113D | Bremsschlauch Brake Hose | 2 |
| Blister skinpacked | ohne Abb. w/o Ref. | 000 604 SS | Schraubensicherungsmittel Loctite | 1 |
| Blister skinpacked | ohne Abb. w/o Ref. | 012 120 615 | Kunststoff-Dorn Plastic Drive | 1 |

http://docs.csp-products.de/?partlist=499 264 5205-14

Datum / Date: _____

Stand: Sept.-21

zusammengestellt von / pulled by : _____

