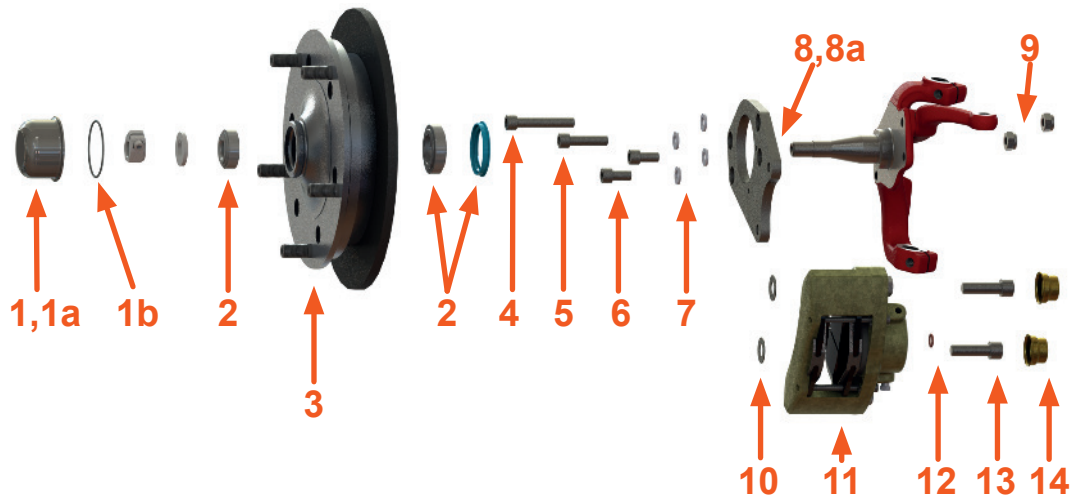


Stückliste / Parts List 499 329 5205



Artikel ohne Nummer sind nicht im Lieferumfang enthalten
Items without reference are not part of the kit

http://docs.csp-products.de/?partlist=499 329 5205

| Verpack.art Location | Position Number | Bestell-Nr. Part-No. | Bezeichnung Description | Anzahl Quantity |
|-------------------------|-----------------------|-------------------------|---|--------------------|
| Blister skinpacked | 1 | 405 691 000 | Nabendeckel links Grease Cap left | 1 |
| Blister skinpacked | 1a | 405 692 000 | Nabendeckel rechts Grease Cap right | 1 |
| Karton Box | 1b | 009 9000 5420 | O-Ring, 54x2 O-ring, 54x2 | 2 |
| Blister skinpacked | 2 | 498 201 113 | Radlagersatz mit Simmerring Wheel Bearings with Seal | 2 |
| Karton Box | 3 | X405 579 168 | Radnabe kompl. Typ-1 68- Aluminium Hub Assembly Type-1 68- | 2 |
| Blister skinpacked | 4 | 009 0912 101060 | Schraube DIN 912, M10x1x60, 10.9 Bolt for Caliper Bracket, DIN 385, M10x1x60, 10.9 | 2 |
| Blister skinpacked | 5 | 009 0912 101040 | Schraube DIN 912, M10x1x40, 10.9 Bolt for Caliper Bracket, DIN 385, M10x1x40, 10.9 | 2 |
| Blister skinpacked | 6 | 009 0912 101020 | Schraube DIN 912, M10x1x20, 10.9 Bolt for Caliper Bracket, DIN 385, M10x1x20, 10.9 | 4 |
| Blister skinpacked | 7 | 009 0127 10 | Federring DIN 127, M10 Safety Washer M10 | 8 |
| Blister skinpacked | 8 | 615 201 311 | Bremssattelhalteplatte links Caliper Bracket left | 1 |
| Blister skinpacked | 8a | 615 202 311 | Bremssattelhalteplatte rechts Caliper Bracket right | 1 |
| Blister skinpacked | 9 | 009 0985 101 | Mutter DIN 985, M10x1 Safety Nut M10x1 | 4 |
| Blister skinpacked | 10 | 615 200 001 | Distanzscheibe Bremssattel 1mm Spacer 1mm | 4 |
| Karton Box | 11 | 698 461 000 | Bremssättel mit Belägen Calipers with Pads | 1 |
| Blister skinpacked | 12 | 009 7603 1018 | Kupferring DIN 7603, 10x18x1 Copper Seal, DIN 7603, 10x18x1 | 2 |
| Blister skinpacked | 13 | 009 0912 121540 | Schraube DIN 912, M12x1,5x40 Caliper Bolt, DIN 912, M12x1.5x40 | 4 |
| Karton Box | 14 | 611 485 000 | Abdeckkappe Dust Cover | 4 |
| Beipack loose parts | ohne Abb. w/o Ref. | 611 701 113D | Bremsschlauch Brake Hose | 2 |
| Blister skinpacked | ohne Abb. w/o Ref. | 000 604 SS | Schraubensicherungsmittel Loctite | 1 |
| Blister skinpacked | ohne Abb. w/o Ref. | 012 120 615 | Kunststoff-Dorn Plastic Drive | 1 |

Stand: Sept.-21

Datum / Date: _____

zusammengestellt von / pulled by : _____

