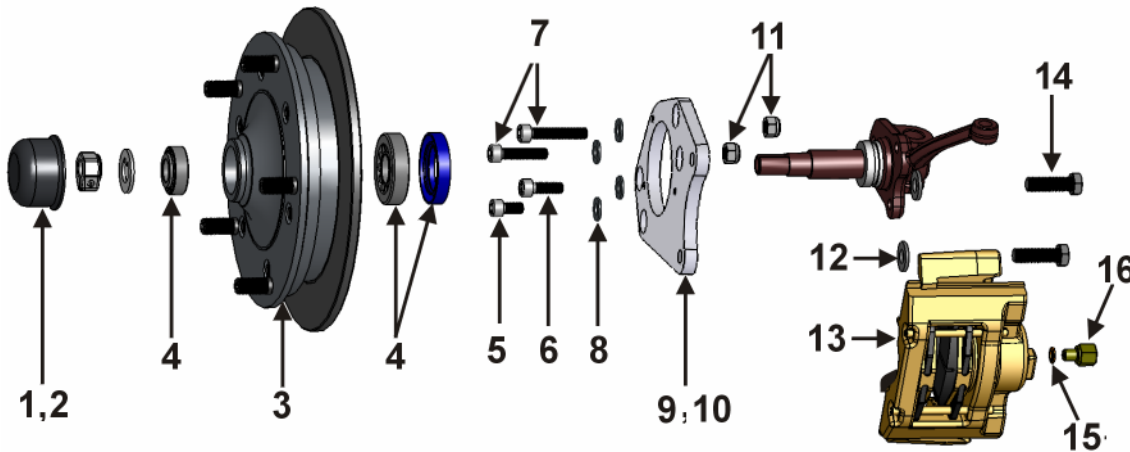


Stückliste /Parts List **499 327 5205**



| Verpack.art Location | Position Number | Bestell-Nr. Part-# | Bezeichnung Description | Anzahl Quantity | |
|-------------------------|--------------------|-----------------------|---|--------------------|--|
| Blister skinpacked | 1 | 405 691 000 | Nabendeckel links Grease Cap left | 1 | |
| Blister skinpacked | 2 | 405 692 000 | Nabendeckel rechts Grease Cap right | 1 | |
| Karton Box | 3 | X405 579 167 | Radnabe kompl. Typ-1 66-67 Aluminium Hub Assembly Type-1 66-67 | 2 | |
| Karton Box | 4 | 498 201 311 | Radlagersatz mit Simmerring Wheel Bearings with Seal | 2 | |
| Blister skinpacked | 5 | 009 0912 101020 | Schraube DIN 912, M10x1x20, 10.9 Bolt for Caliper Bracket, DIN 385, M10x1x20, 10.9 | 4 | |
| Blister skinpacked | 6 | 009 0912 101040 | Schraube DIN 912, M10x1x40, 10.9 Bolt for Caliper Bracket, DIN 385, M10x1x40, 10.9 | 2 | |
| Blister skinpacked | 7 | 009 0912 101060 | Schraube DIN 912, M10x1x60, 10.9 Bolt for Caliper Bracket, DIN 385, M10x1x60, 10.9 | 2 | |
| Blister skinpacked | 8 | 009 0127 10 | Federring DIN 127, M10 Safety washer M10 | 8 | |
| Blister skinpacked | 9 | 615 201 311 | Bremssattelhalteplatte links Caliper Bracket left | 1 | |
| Blister skinpacked | 10 | 615 202 311 | Bremssattelhalteplatte rechts Caliper Bracket right | 1 | |
| Blister skinpacked | 11 | 009 0985 101 | Mutter DIN 985, M10x1 safety nut M10x1 | 4 | |
| Blister skinpacked | 12 | 615 200 001 | Distanzscheibe Bremssattel 1mm Spacer 1mm | 4 | |
| Karton Box | 13 | 698 461 000 | Bremssättel mit Belägen Calipers with pads | 1 | |
| Blister skinpacked | 14 | 009 0912 121540 | Schraube DIN 912, M12x1,5x40 Caliper Bolt, DIN 912, M12x1.5x40 | 4 | |
| Blister skinpacked | 15 | 009 7603 1014 | Kupferring DIN 7603, 10x14x1 Copper Seal, DIN 7603, 10x14x1 | 2 | |
| Blister skinpacked | 16 | 611 701 000 | Adapter Bremsschlauch Adapter for Brake Hose | 2 | |
| Beipack loose part | ohne Abb. | 611 701 311B | Bremsschlauch Brake Hose | 2 | |
| Blister skinpacked | ohne Abb. | 000 604 SS | Schraubensicherungsmittel Loctite | 1 | |
| Blister skinpacked | ohne Abb. | 012 120 615 | Kunststoff-Dorn Plastic drive | 1 | |

Stand: Nov-13

Datum / Date: _____

zusammengestellt von / pulled by : _____