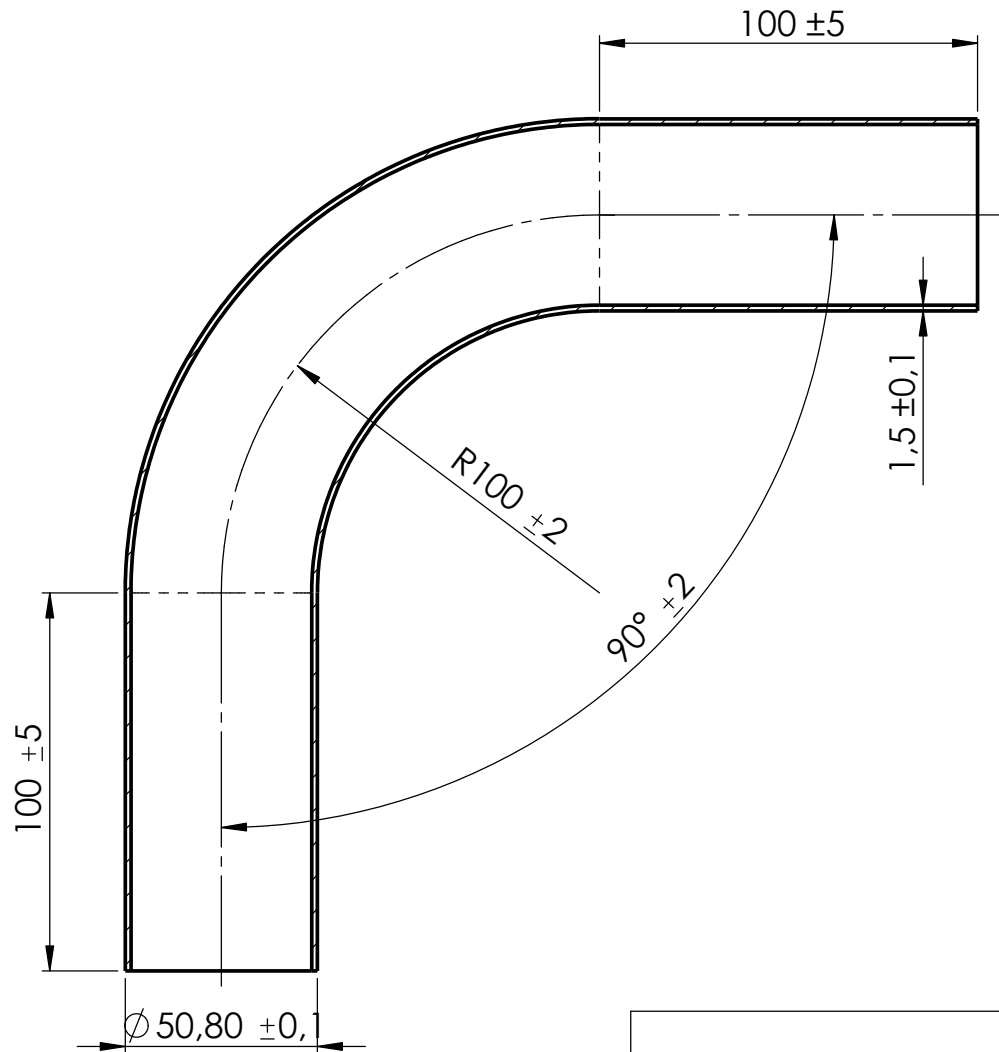



251 015 51900



VERSIONEN		
VERSION	BESCHREIBUNG	DATUM
A	Zeichnung erstellt, tk	28.05.2014

		Datum	Name	Maßstab: 1:2	Mat.: Stahl
		Bearb.	28.05.2014		
CSP PRODUCTS CSP GmbH - Am Redder 3 - 22941 Bargtheide		Gepr.		Bogen 90° 251 015 51900	
		Norm			
				Allgemeintoleranz ISO 2768 - m	Revision: A

The drawing and its content are not to be revealed to third parties, unless our express consent is given. All rights are reserved for the items listed in this drawing as per § 7 Patent Law and § 5 Utility Patent Law in the event that the patent is granted or the Utility patent is registered.

The drawing and its content are not to be revealed to third parties, unless our express consent is given. All rights are reserved for the items listed in this drawing as per § 7 Patent Law and § 5 Utility Patent Law in the event that the patent is granted or the Utility patent is registered.